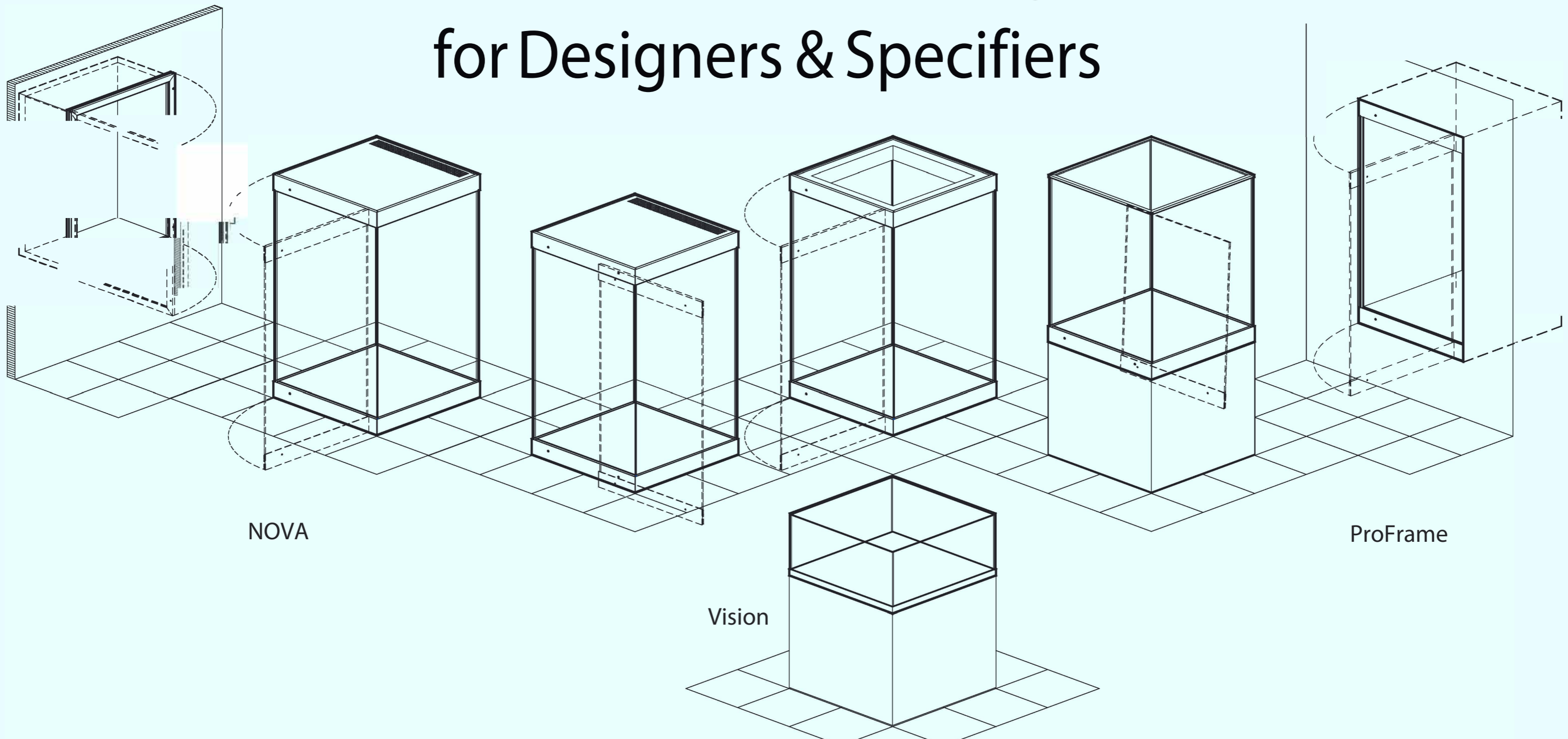


# caisas

MUSEUM QUALITY  AMERICAN BUILT

## The Museum Showcase Guide for Designers & Specifiers



NOVA

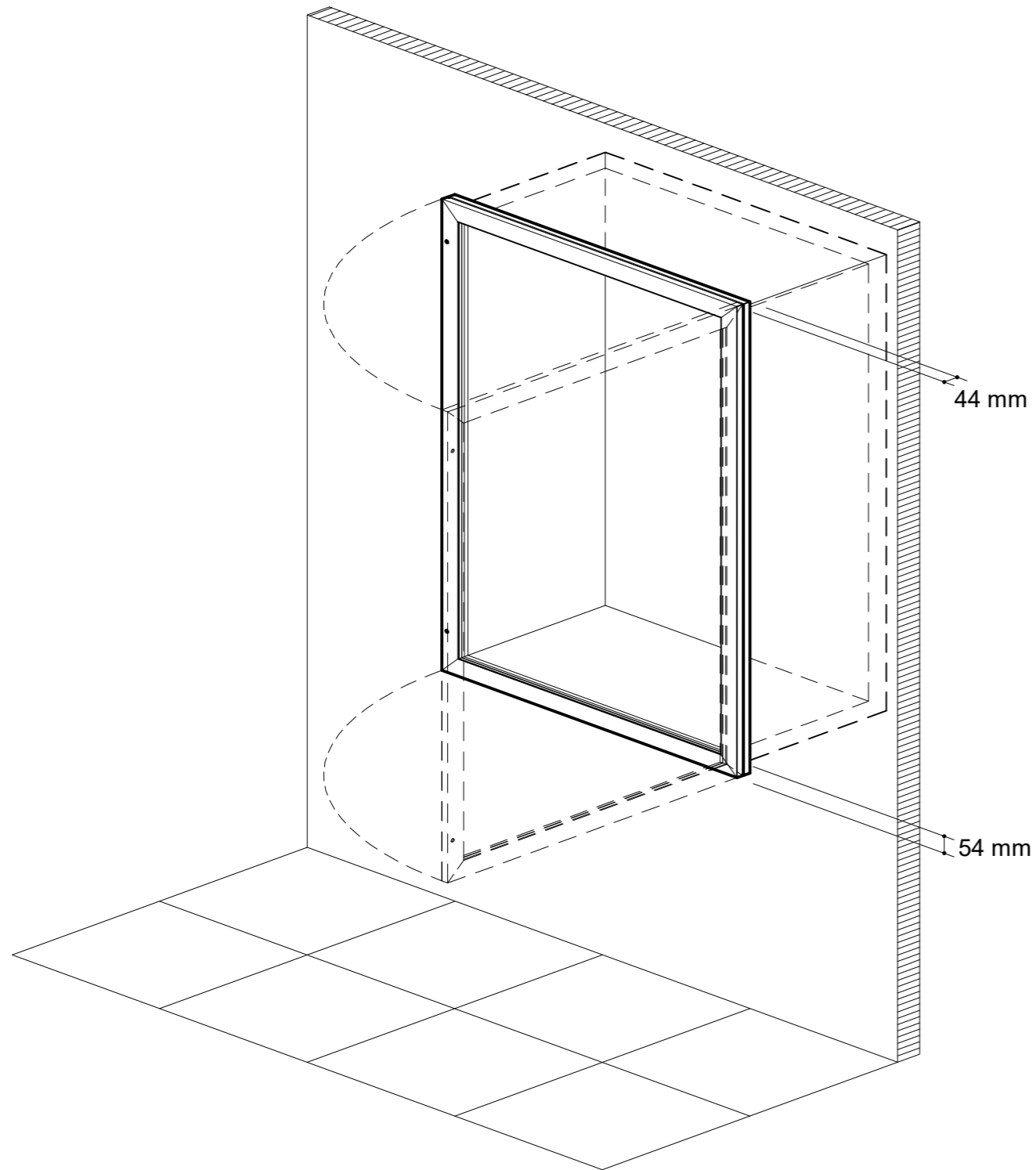
Vision

ProFrame



# Pro Frame

High security conservation casefront with hinged door  
For building into structures



Standard features ●  
Optional features ○

## Exterior frame finish

● Polyester powder coated to any RAL colour ref

## Glazing

- 9.5mm laminated standard glass
- 11.5mm laminated standard glass
- 9.5mm laminated low iron glass
- 11.5mm laminated low iron glass
- 9.5mm laminated low reflective glass
- 11.5mm laminated low reflective glass

## Carcase

● Museum grade sealed ZF MDF

## Interior dress panels

Header, base, side & back panels  
in sealed ZF MDF

- Fabric finished to client's specification
- Polyester powder coated to any RAL colour ref
- Conservation grade emulsion painted to client's specification
- Laminate finished to client's specification

## Security

● Concealed Abloy balanced cam locks

## Lighting

- Fibre optic heads with remote dimmable low voltage tungsten halogen projector
- Fibre optic heads with remote metal halide projector
- Low voltage LED

## Conditioning

- Silica gel cassette compartment
- Micro Climate AS 600 fan assisted silica gel system for larger volume showcases

## Shelving

- Adjustable suspended rod system with 10mm toughened glass shelves
- Adjustable cantilever system with 10mm toughened glass shelves

## Typical configurations

