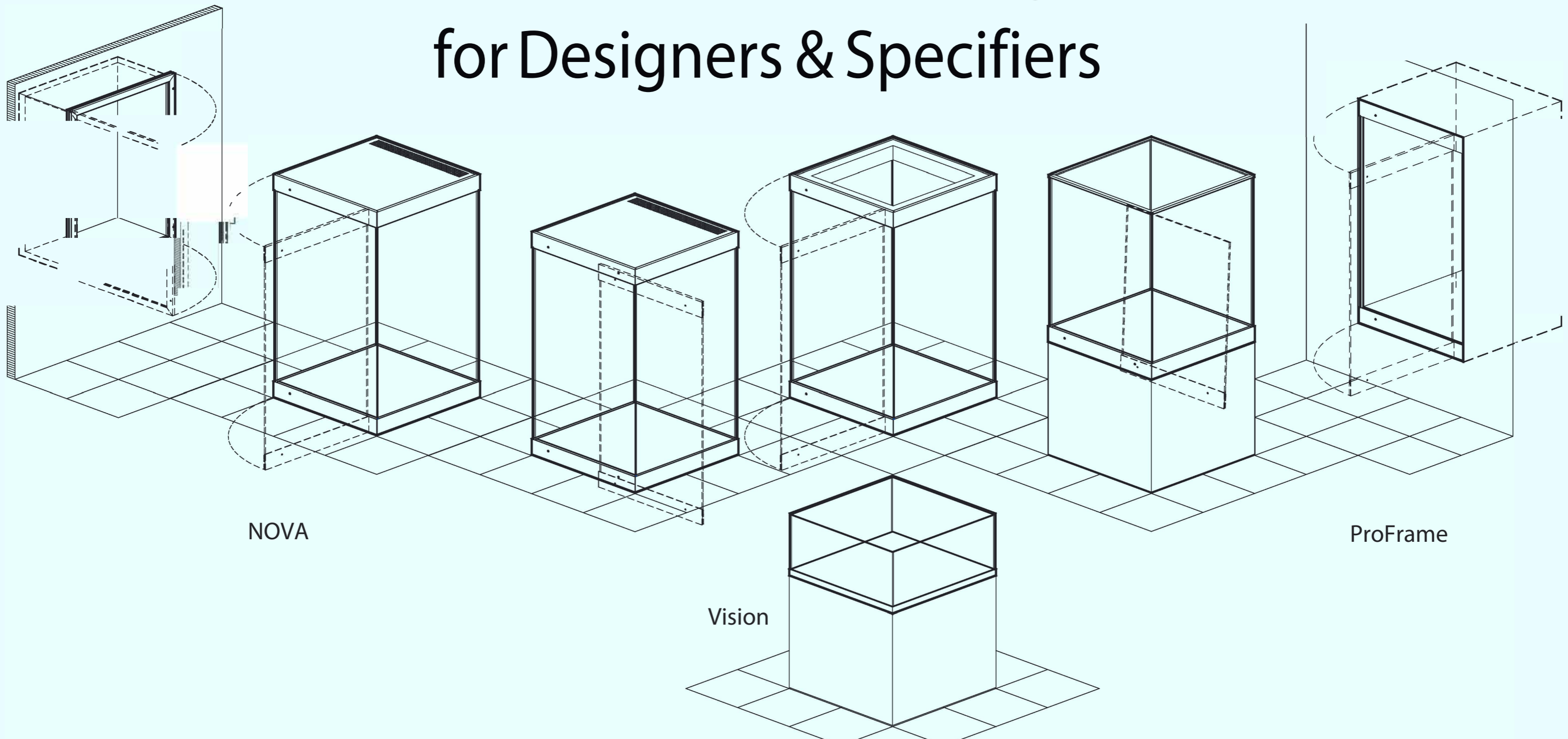


# caisas

MUSEUM QUALITY  AMERICAN BUILT

## The Museum Showcase Guide for Designers & Specifiers



NOVA

Vision

ProFrame

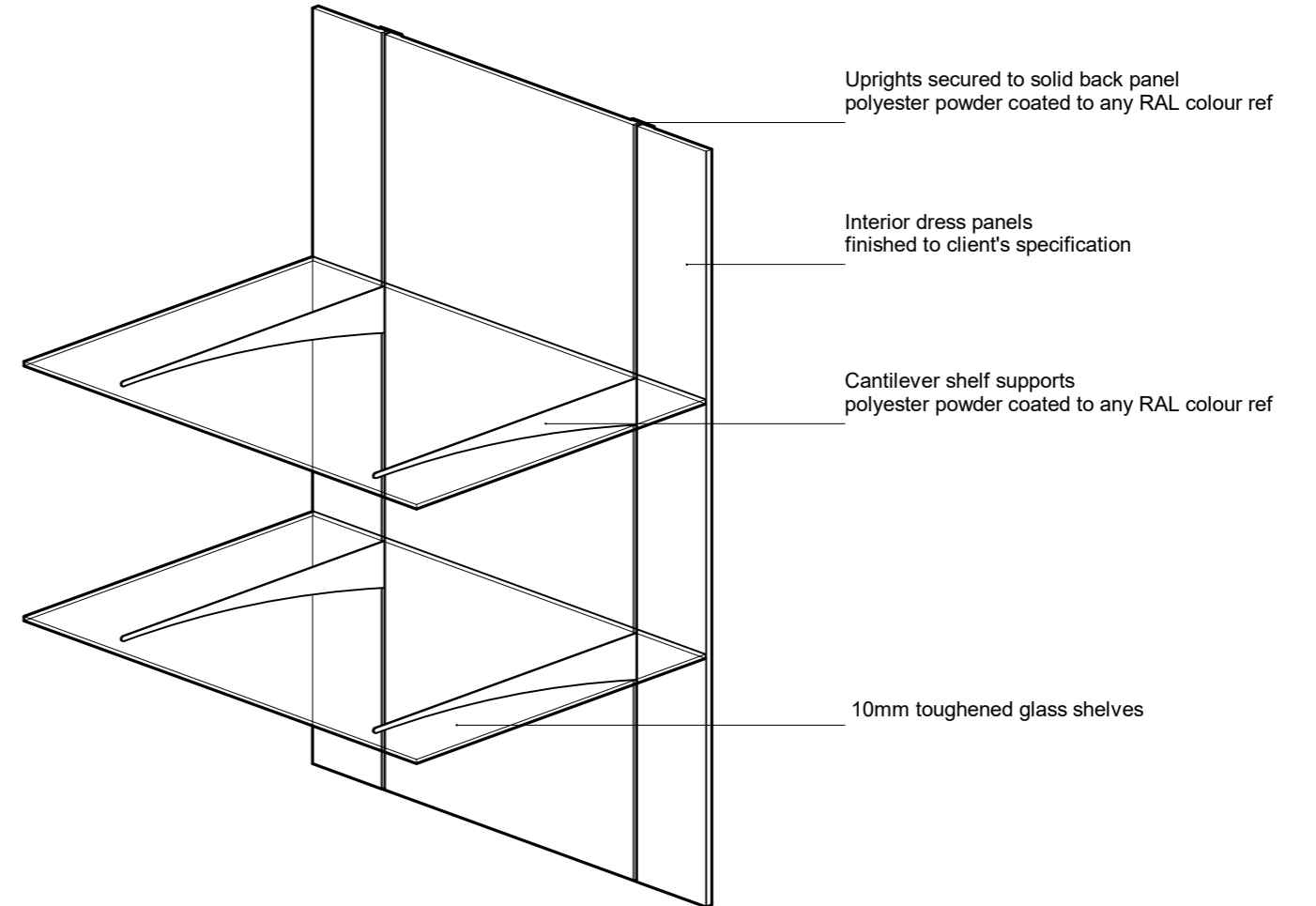
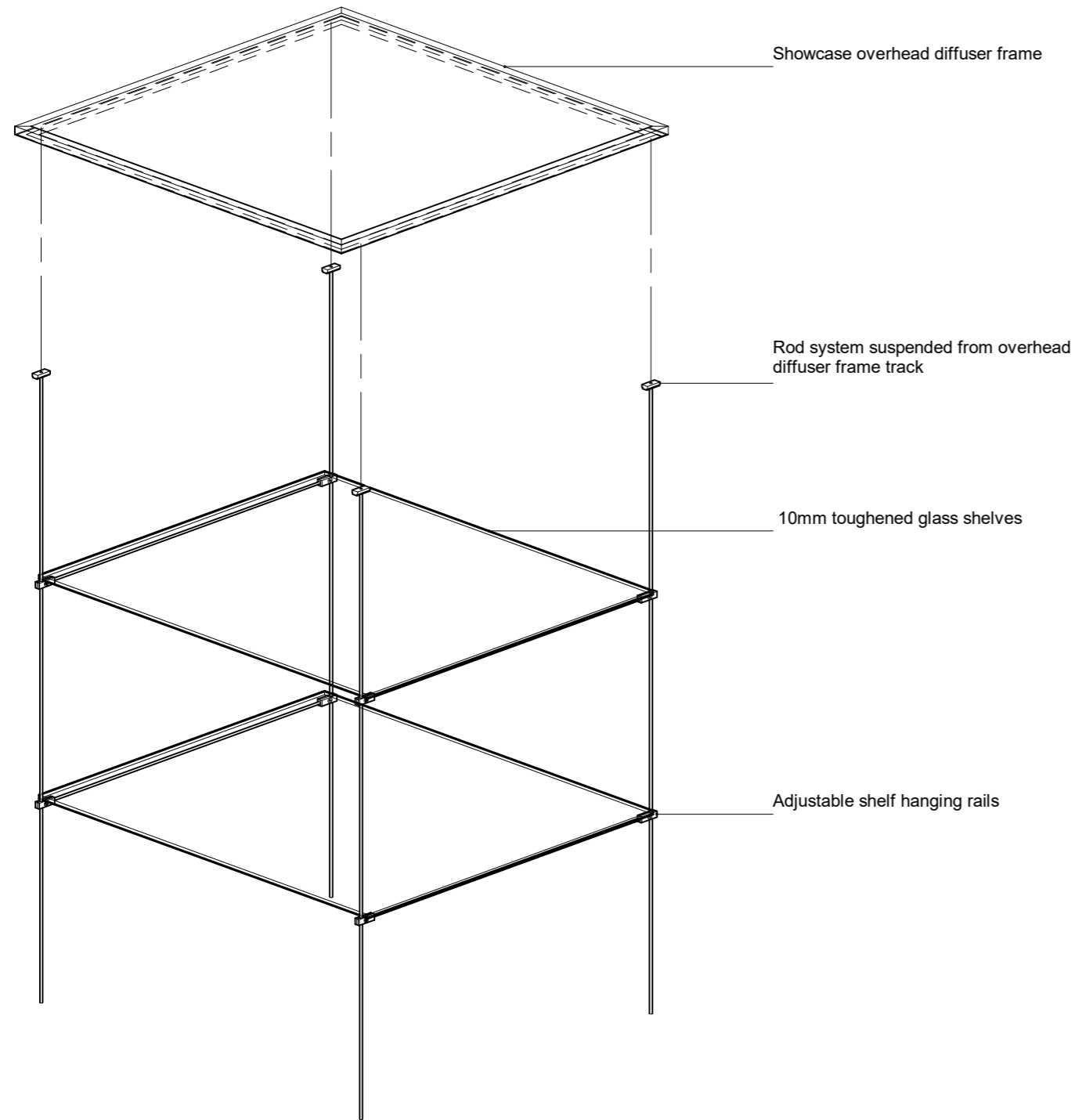
## 4.01

Shelving: Suspended or Cantilevered options  
For Nova & ProFrame showcases

# Shelving

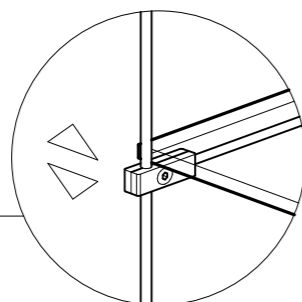
Suspended rod shelving system

Cantilever shelving system



Suspended rod shelving system detail

Easily adjustable shelf hanging rails



Cantilever shelving system detail

