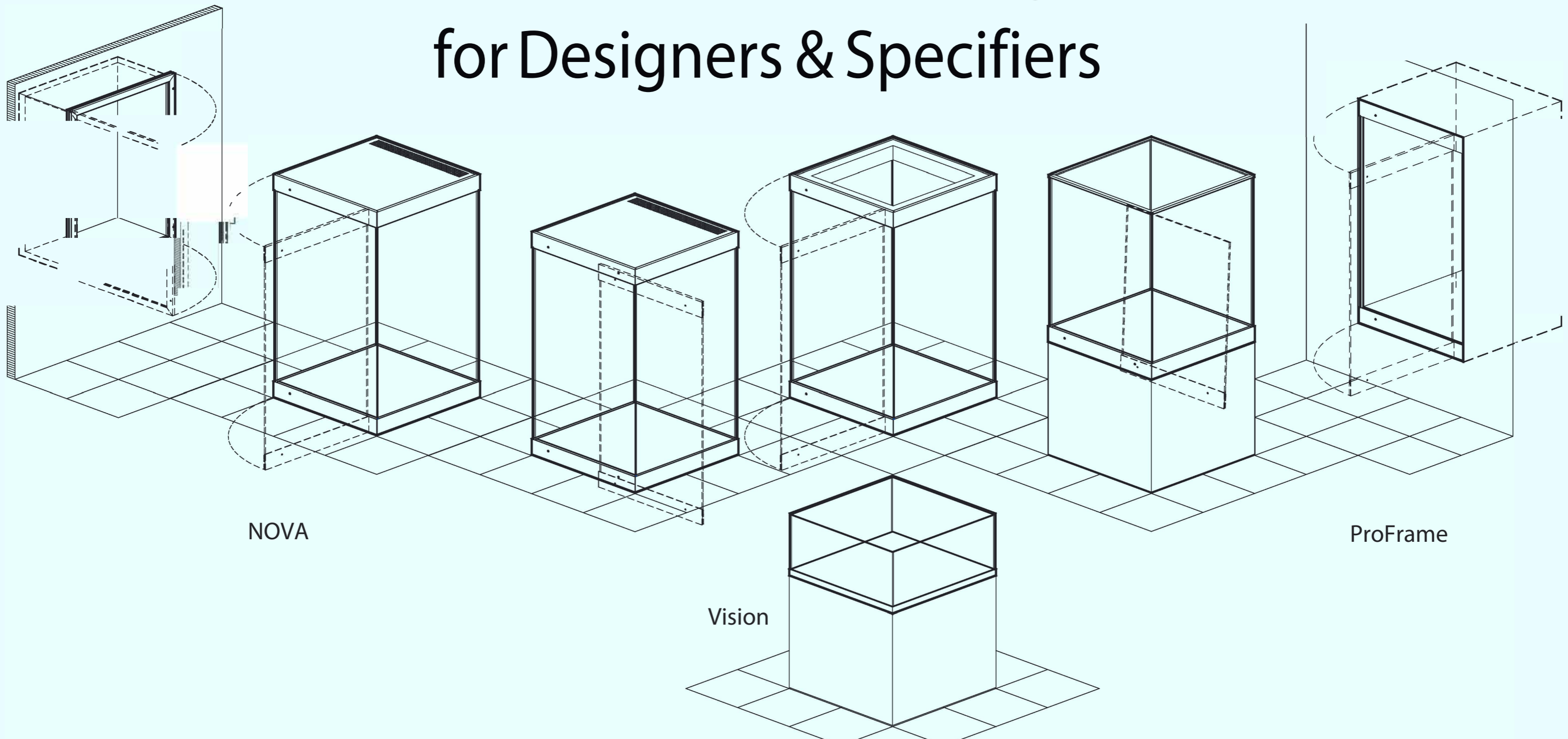


caisas

MUSEUM QUALITY  AMERICAN BUILT

The Museum Showcase Guide for Designers & Specifiers



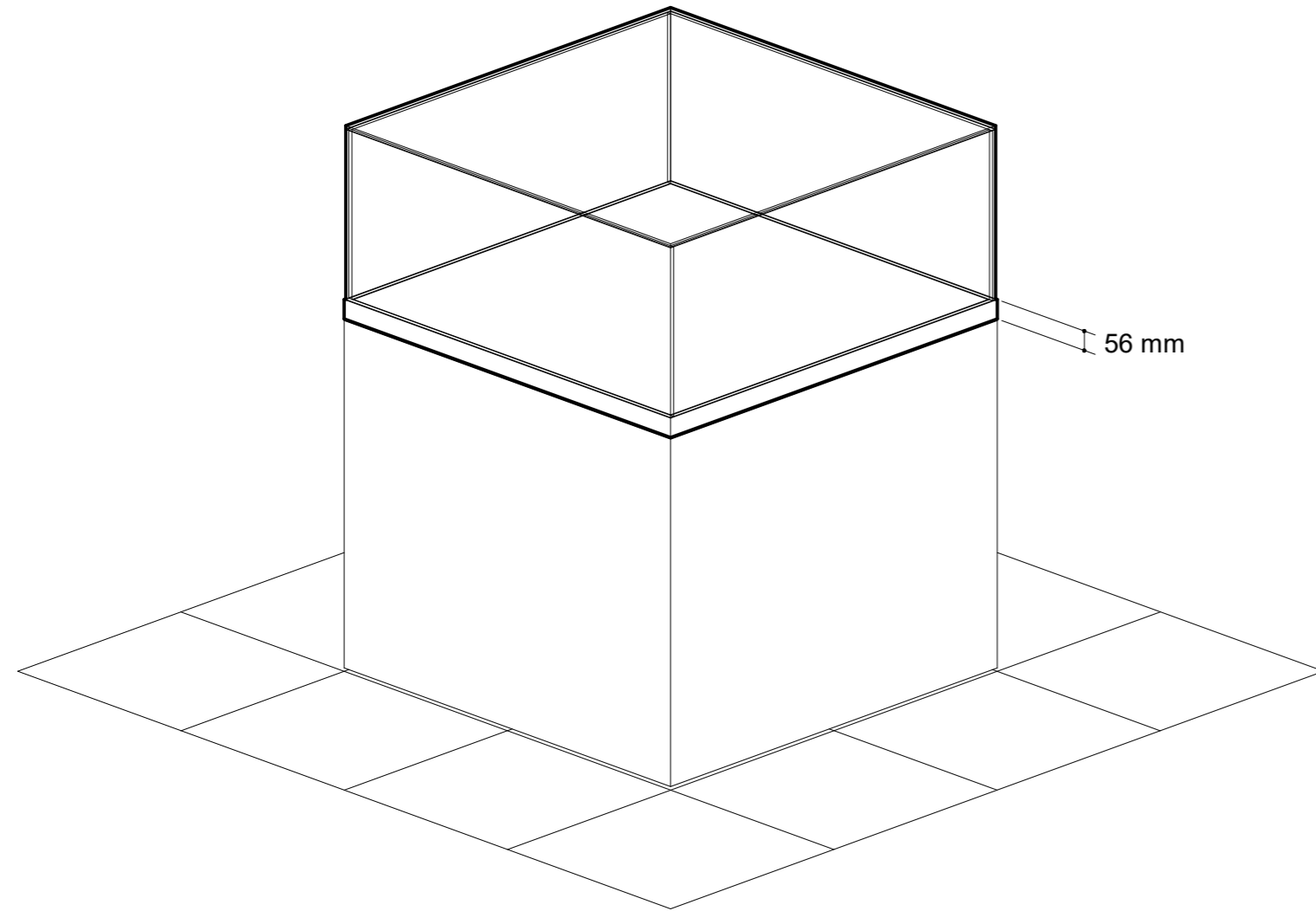
NOVA

Vision

ProFrame

Vision

Plinth top high security conservation showcase - Lift off or Hinged canopy
 Glazed on 5 sides



Standard features ●
 Optional features ○

Exterior frame finish

- Polyester powder coated to any RAL colour ref

Glazing

- 9.5mm laminated standard glass
- 9.5mm laminated low iron glass

Interior dress panel

Base panel in sealed ZF MDF

- Fabric finished to client's specification
- Polyester powder coated to any RAL colour ref
- Conservation grade emulsion painted to client's specification
- Laminate finished to client's specification

Security

- Abloy push locks

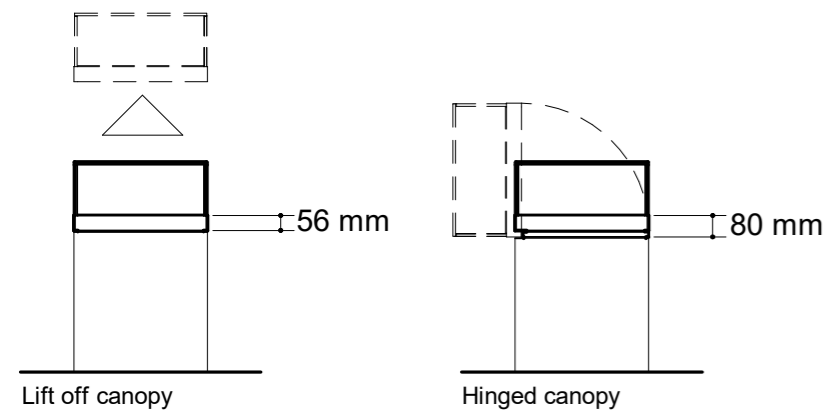
Lighting

- Fibre optic heads with remote dimmable low voltage tungsten halogen projector
- Fibre optic heads with remote metal halide projector
- Low voltage LED

Conditioning

- Silica gel cassette compartment
- Micro Climate AS 600 fan assisted silica gel system for larger volume showcases

Typical configurations



Potential plan shapes



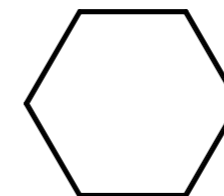
Square section



Rectangular section



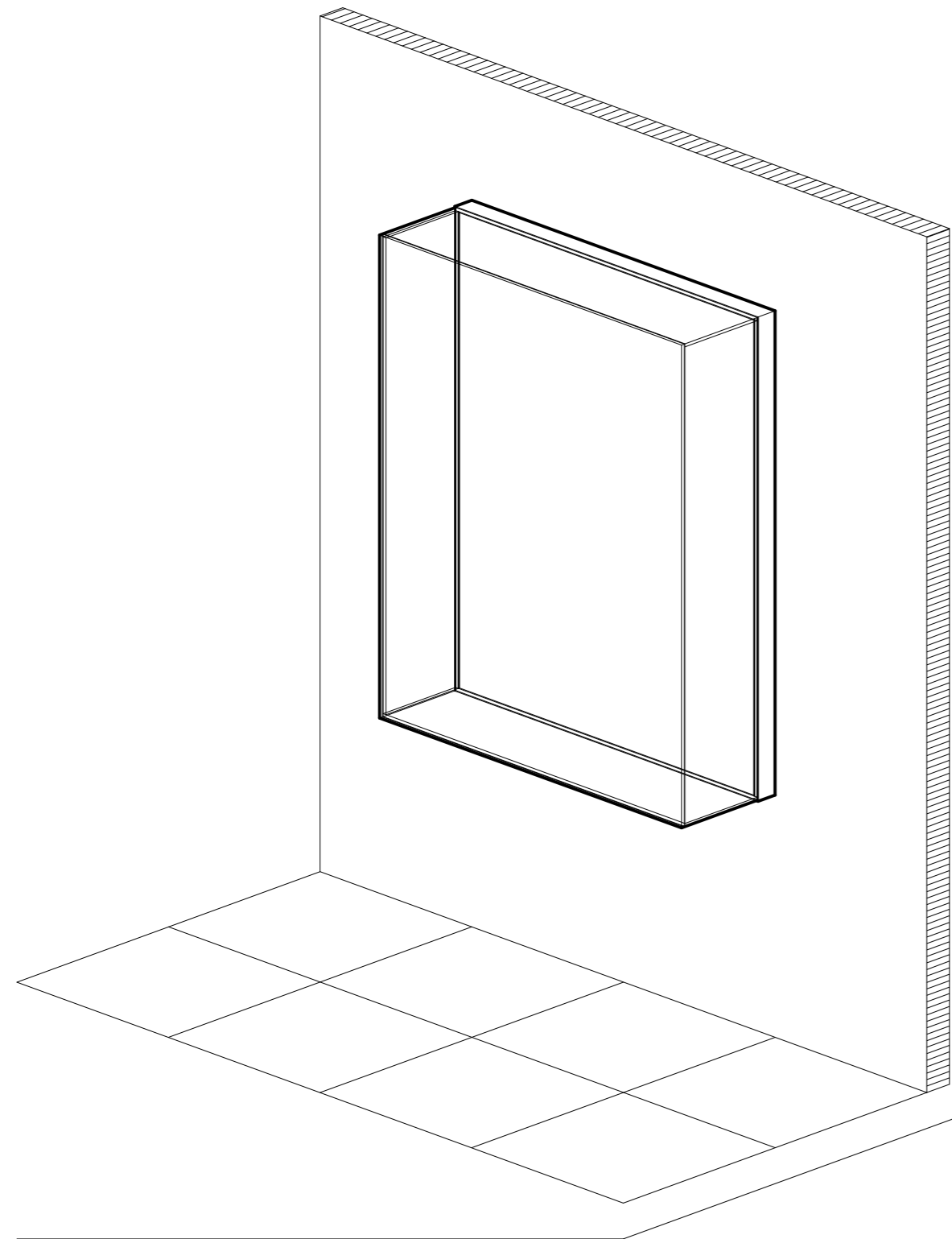
Triangular section



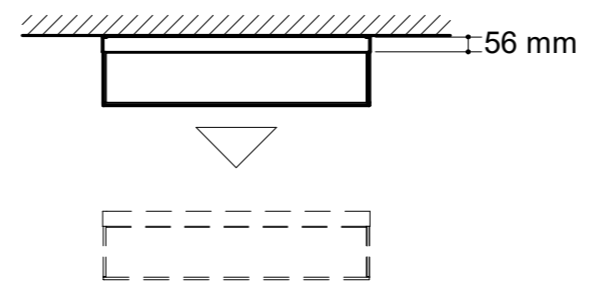
Multi sided section

Vision

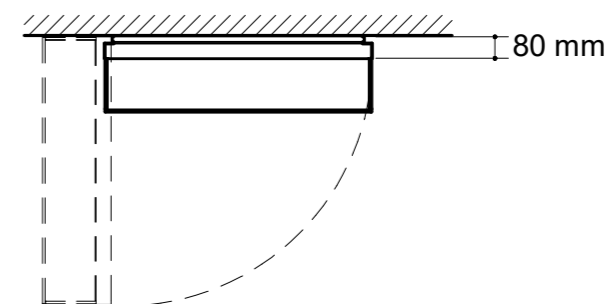
Wall mounted high security conservation showcase - Lift off or Hinged canopy
 Glazed on 5 sides



Typical configurations



Lift off canopy



Hinged canopy

Standard features ●
 Optional features ○

Exterior frame finish

- Polyester powder coated to any RAL colour ref

Glazing

- 9.5mm laminated standard glass
- 9.5mm laminated low iron glass

Interior dress panel

Back panel in sealed ZF MDF

- Fabric finished to client's specification
- Polyester powder coated to any RAL colour ref
- Conservation grade emulsion painted to client's specification
- Laminate finished to client's specification

Security

- Abloy push locks

Lighting

- Fibre optic heads with remote dimmable low voltage tungsten halogen projector
- Fibre optic heads with remote metal halide projector
- Low voltage LED

Conditioning

- Silica gel cassette compartment
- Micro Climate AS 600 fan assisted silica gel system for larger volume showcases

Shelving

- Adjustable cantilever system with 10mm toughened glass shelves